



CONNECTING ROD TOOL

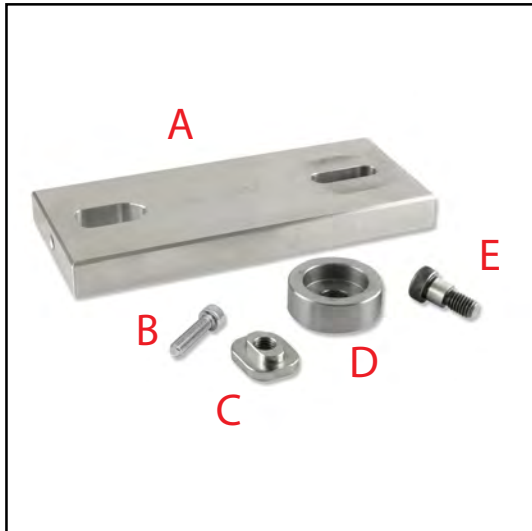
i n s t r u c t i o n m a n u a l



#CBM-10454

CBM MOTORSPORTS **CONNECTING ROD TOOL**

Designed for all GM LS style connecting rods with a big end size of 2.2250"



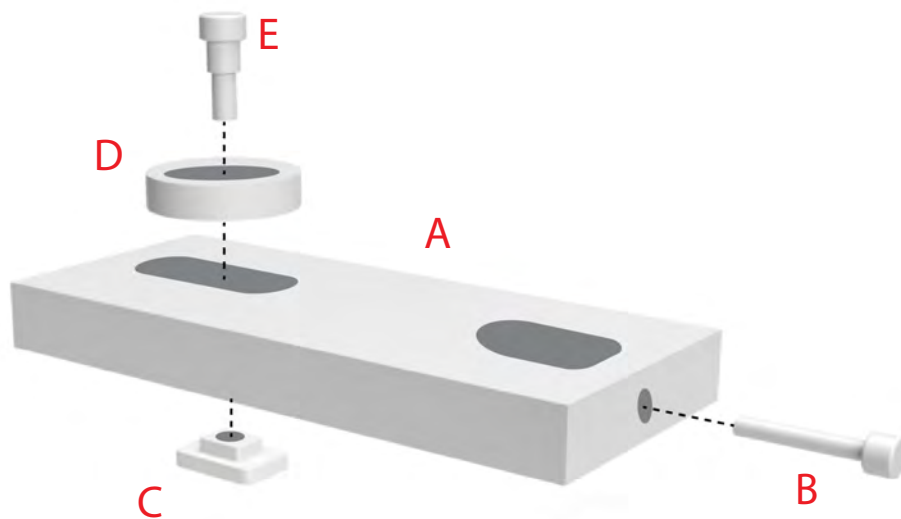
What is in the box?

- A) Base.
- B) 10mm x 40mm Socket Head Cap Screw.
- C) Slider.
- D) Puck.
- E) 0.50" x 1.25" Shoulder Bolt.

Tools needed.

- 8mm hex wrench.
- 5/16" hex wrench.

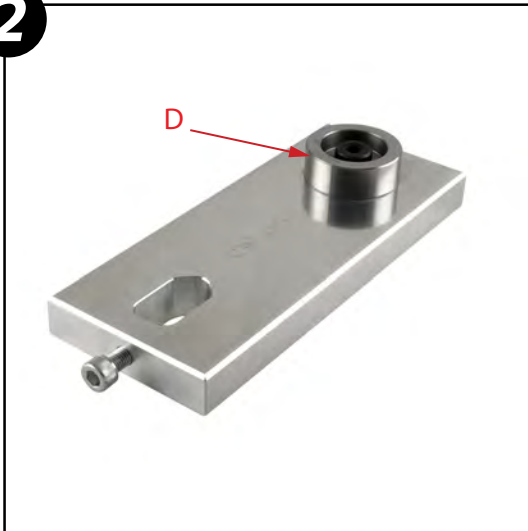
1



Set Up

Assemble the tool as shown in fig #1 and hand tighten the shoulder bolt (E) to the slider (C).

2



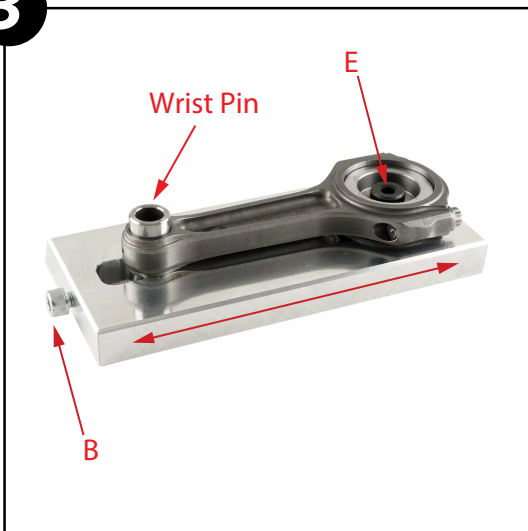
Connecting Rod

This tool is designed for all GM LS style connecting rods with a big end size of 2.2250"

To start you will need a known good connecting rod, make sure the rods bolts are tight and that you have proper size wrist pin for that connecting rod

Make sure the tools puck (D) is able to slide back and forth.

3



Calibration

Place known good connecting rods big end over the puck.

Insert the user provided wrist pin into the connecting rods small end leaving the same amount of distance on each side.

Turn the cap screw (E) until wrist pin stops sliding forward, using a wrench tighten the cap screw (E), next using a wrench tighten the shoulder bolt (B).

4



Check Connecting Rods

Place the connecting rods big end over the puck and it's small end over the wrist pin.

If the rod in question does not lay flat or has deformed and will go over both the small and big end of the tool, it may be bent.

Insure rod ends do not have any burrs that will prevent tool use.

Tech Support

Telephone:
909.291.7550 ext.2001

Email:
chris@custombuiltmotors.com

Warranty

CBM Motorsports™ products are warranted to be free from defects in material and workmanship for a period of 90 days from the date of purchase. CBM Motorsports™ electronic components and products are warranted to be free from defects in material and workmanship for a period of 30 days from the date of purchase.

More From *CBM* 
Available at CBMmotorsports.com



#CBM-10449-KIT

GM LS DECK PLATE LS1, LS2, LS3, LS7,
LSX, L92, L96 4.200



#CBM-12345

LS1 LS2 LS3 LS7 FRONT AND REAR COVER
ALIGNMENT TOOL SET



#CBM-11229

GEN III GEN III GM LS ENGINE LIFT PLATE



#CBM-11226

GM LS ENGINE STANDS SHORT



#CBM-11328

CYLINDER SLEEVE PULLER GM LS7,
LSX, RHS, BODIX, WARHAWK



#CBM-10452-D

LS3, LS7, LS9 DRY SUMP OIL PUMP
ALIGNMENT TOOL