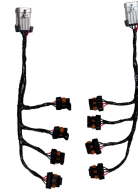


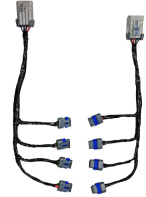


# Coil Relocation Wiring Jumper/Harness

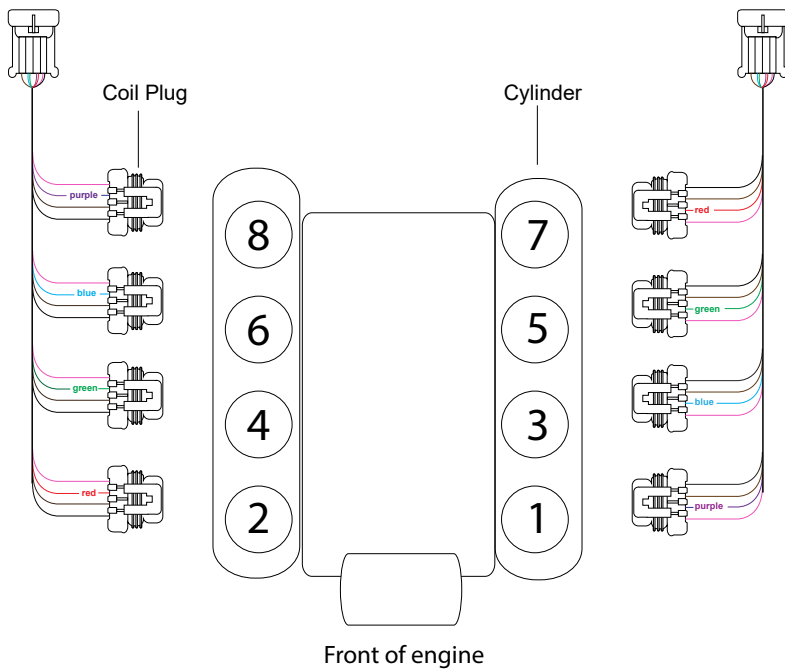
**Note:** LS1 style coils use the coil plugs with a brown seal. LS2, LS3, LS7, LS9 style coils use the coil plugs with a blue seal. **BOTH JUMPER ARE WIRED THE SAME.**



SKU: CBM-COIL-JUMPER-LS1



SKU: CBM-COIL-JUMPER-LS2



← **Standard installation.**

**Optional installation.** →

